

2 4G LED Dimming Controller



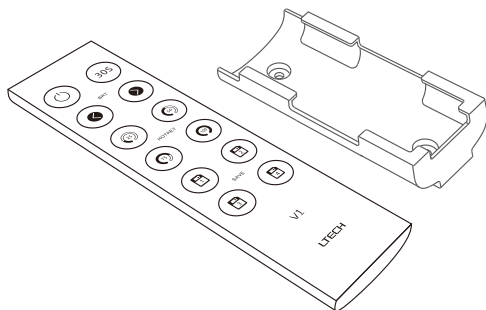




Main Characteristics

V1 RF Dimming Remote Control

Remote Option: Dimming
 Working Voltage: 3Vdc (Battery CR2032)
 Wireless Frequency: 2.4GHz
 Working Temperature: -30 ~55
 Package Size: L150xW46xH18(mm)
 Weight(G.W.): 85g



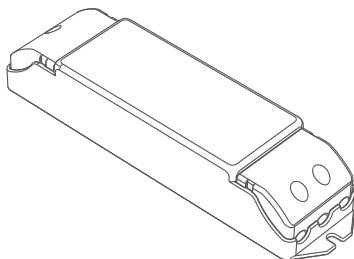
V1

R4-5A CV Receiver

Input Voltage: 5-24Vdc
 Max Current Load: 5A × 4CH Max. 20A
 Max Output Power: 100W/240W/480W(5V/12V/24V)
 Working Temperature: -30 ~55
 Package Size: L178xW48xH33(mm)
 Weight(G.W.): 150g

R4-CC CC Receiver

Input Voltage: 12-48Vdc
 Output Voltage: 3-46Vdc
 Output Current: CC 350/700/1050mA×4CH
 Output Power: 1.05W-48.3W×4CH Max 193.2W
 Working Temperature: -30 ~55
 Package Size: L178xW48xH33(mm)
 Weight(G.W.): 165g

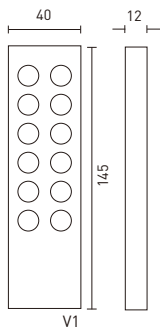


R4-5A/R4-CC

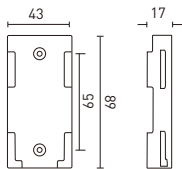
Note: Receiver is sold separately.

Dimensions

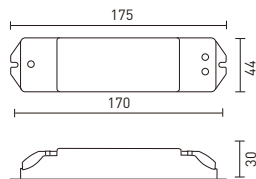
Unit: mm



V1

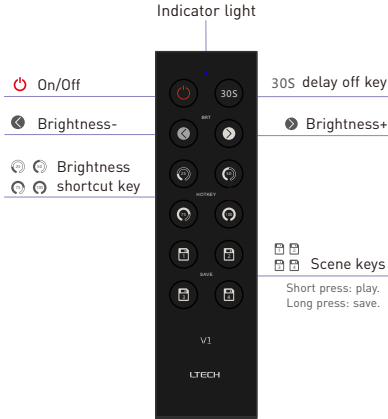


Holder



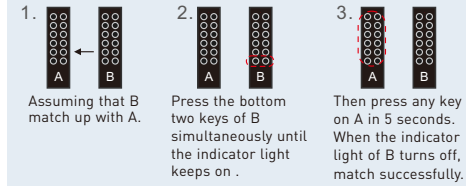
R4-5A/R4-CC

Operating Instruction for Remote:

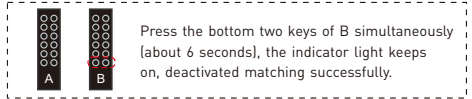


Match/Clear code between remotes

Match code:

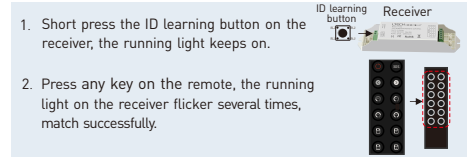


Clear code:

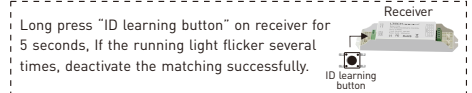


Match/Clear code between remote and receiver

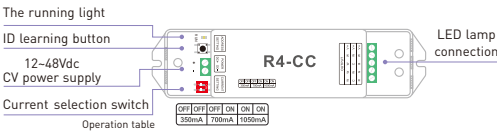
Match code:



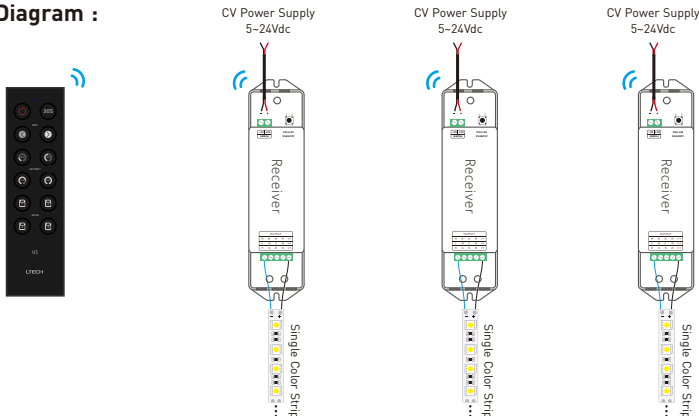
Clear code:



Operating Instruction for Receiver:



Wiring Diagram :



Attention:

- Please replace the battery if the remote becomes insensitive or control distance is shortened.
- Please take out the battery for long time unused.