

LTECH

EX Series Touch Panel

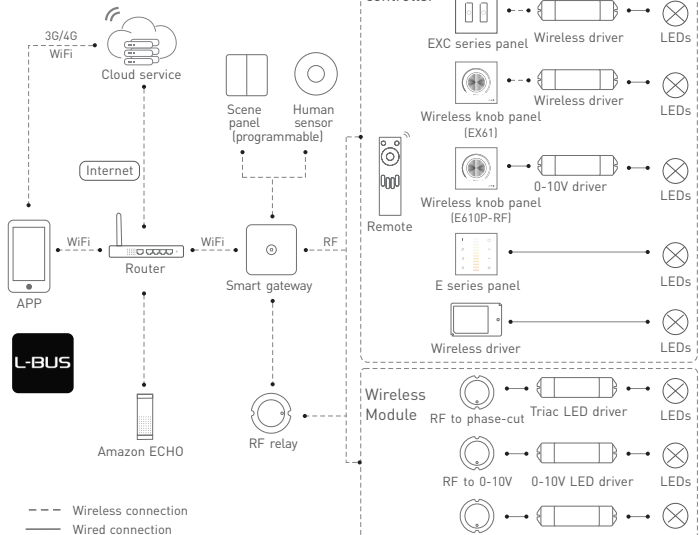


Manual
www.ltech-led.com

LTECH

System diagram

L-BUS



EX series touch panel

Product features

- Adopt wireless RF and wired DMX512 protocol 2 in 1 control mode, more flexible and convenient for project installation.
- Advanced RF wireless sync/zone control technology, make sure dynamic color modes synchronously among multiple drivers.
- Four zones can be combined arbitrarily, for example: zone 1 and zone 2 as a group, or zone 1, zone 3, zone 4 as a group, or all the 4 zones as a group.
- No limit the quantity of drivers in each zone, and all color modes keep synchronously.
- Support multiple panels linkage control, no quantity limitation.
- Touch keys with chord and LED indicator.
- Adopts capacitive touch control technology on full color wheel, make LED color selection more user-friendly.
- Compatible with remote and APP control with adding LTECH gateway.

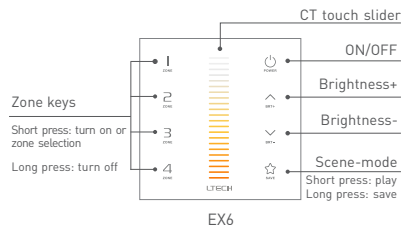
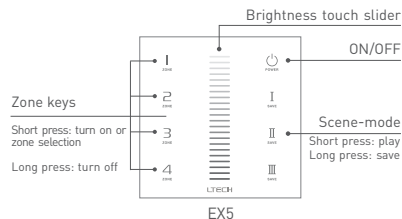
Technical specs

Model	EX5	EX6	EX8	EX8S
Control type	Dimming	CT	RGBW	
Input voltage	100-240Vac			
Output signal	DMX512			
Wireless type	RF 2.4GHz			
Zone	4 zones			
Working temp.	-20°C~55°C			
Dimensions	L86×W86×H36(mm)			
Package size	L113×W112×H50(mm)			
Weight(G.W.)	225g			

* Product with **L-BUS** Advance Mode logo, supports the function of WIFI-108 advanced mode.

Key functions

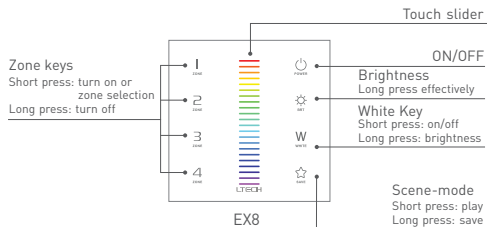
* When blue indicator light of key is on, long press to turn on/off buzzer. When white indicator light of key is on, long press to match code.



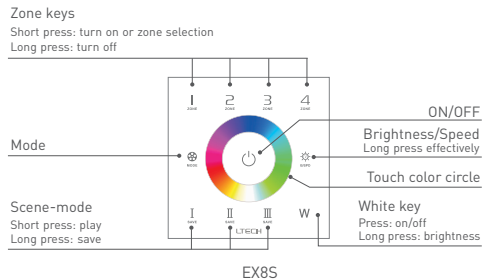
CT & CT2 mode of EX6 panel switch to each other:
Simultaneously long press and button for 3 seconds, the buzzer beeps once then switch successfully.
(Factory default: CT mode)

DMX Addresses	Modes	CT	CT2
1	C		BRT
2	W		CT

* Please switch the color temperature mode when the switch indicator light is white.



* White light only: press "W" key to turn on white light under OFF status.

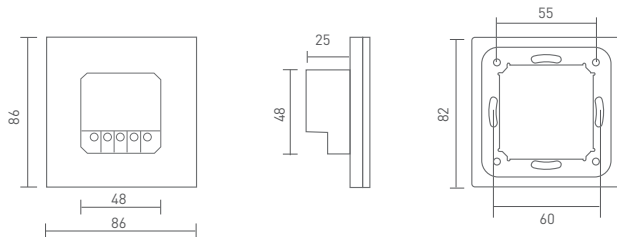


* White light only: press ⊕ key to choose black mode, then press W key for white light.

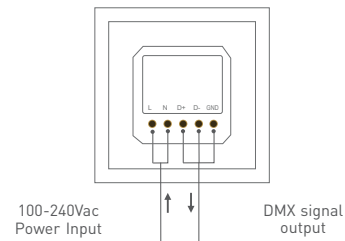
Mode

1. Static red
2. Static green
3. Static blue
4. Static yellow
5. Static purple
6. Static cyan
7. Static white
8. RGB jumping
9. 7 Colors jumping
10. RGB color smooth
11. Full-color smooth
12. Static black (only close RGB)

Product size Unit: mm




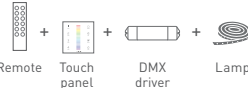
Terminals




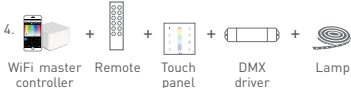
Application composition

DMX512 control

- 

1. Touch panel + DMX driver + Lamp
- 

2. Remote + Touch panel + DMX driver + Lamp
- 

3. WiFi master controller + Touch panel + DMX driver + Lamp
- 

4. WiFi master controller + Remote + Touch panel + DMX driver + Lamp

Wireless control

- 

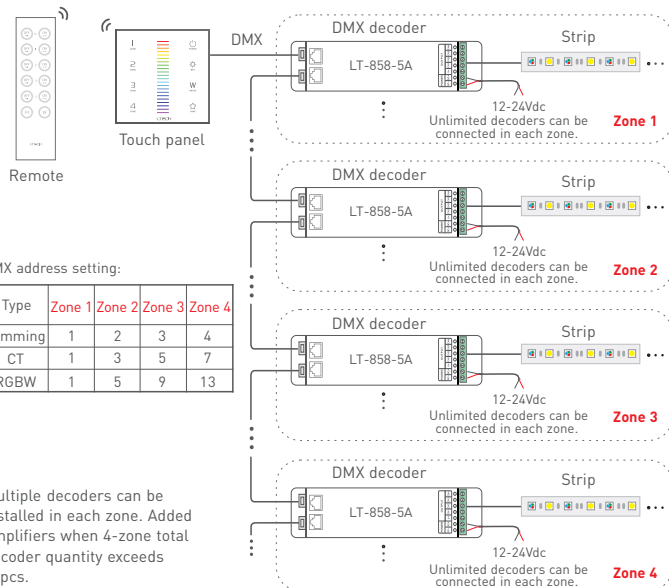
1. Touch panel + Wireless driver + Lamp
- 

2. Remote + Touch panel + Wireless driver + Lamp
- 

3. WiFi master controller + Touch panel + Wireless driver + Lamp
- 

4. WiFi master controller + Remote + Touch panel + Wireless driver + Lamp

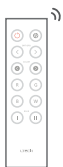
DMX wiring



RF wireless wiring

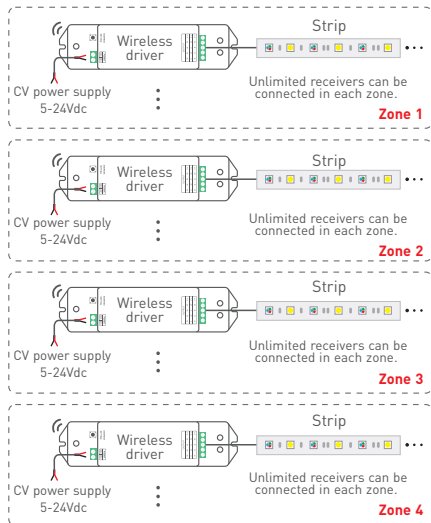


Touch panel



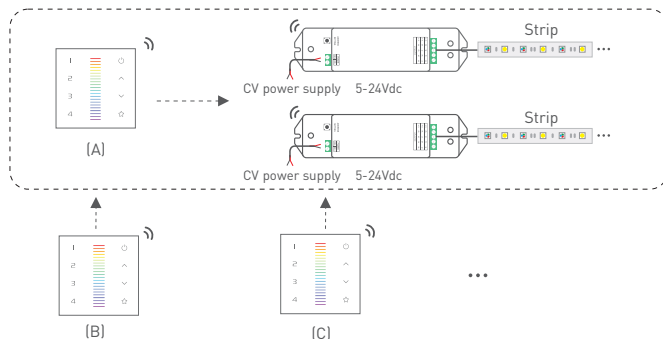
Remote

Multiple wireless receivers (F4-3A/F4-5A/F4-DMX-5A/F5-DMX-4A) can be matched with EX series touch panel within effective distance.



To avoid the signal interference, the installation needs to keep away from the large area metal material or the metal material space.


Multi-panel control wiring



* After touch panel A realizes controlling the lamps, if B and C are matched with A, they can also control the lamps.

* Linkage control is also available at connecting with DMX decoders.

Match code between touch panels

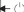
1. Assuming that B matches with A, long press  on B until all zones' indicator lights flicker.



2. Touch the matching zone key on A within 15s, when indicator lights of B stop flicking, match successfully.



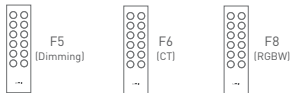
Match code between touch panel & remote

1. Long press  on touch panel until all zones' indicator lights flicker.



2. **Match with F series remote:**

Long press On/Off key on F series remote, the indicator light of touch panel stop flickering, match successfully.



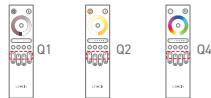
EX5 works with remote F5.

EX6 works with remote F6.

EX8/EX8S works with remote F8.

Match with Q series remote:

Long press the matching zone's "On" key on remote, the indicator light of touch panel stop flickering, match successfully.



EX5 works with remote Q1.

EX6 works with remote Q2.

EX8/EX8S works with remote Q4.

* Please match/clear code when  indicator light of panel is white.

Match code between touch panel & wireless driver

Touch panels can work with wireless driver F4-3A/F4-5A/F4-DMX-5A/F5-DMX-4A.

Method 1:

1. Power off the driver.



2. Long press On/Off key of the panel until all zone's indicator lights flicking.



3. Power on the driver, the lamps flicker slowly, please complete step 4 within 15s.



4. Short press the matching zone key on the panel, match successful.



Method 2:

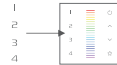
1. Short press "ID learning button" on wireless driver, the lamps flicker, please complete next steps within 15s.



2. Long press On/Off key of the panel until all zone's indicator lights flicking.



3. Short press the matching zone key on the panel, match successful.



* Please match/clear code when  indicator light of panel is white.

Match code between touch panel & gateway

1. Long press  on touch panel until all zones' indicator lights flicking.



2. Turn on APP, enter "zone set" interface, click the right top "MATCH" key, then follow the prompts.



Clear code



Press the bottom two key on touch panel simultaneously for 6s, the indicator lights flicker several times, clear code successfully.

- * Please match/clear code when  indicator light of panel is white.

Warranty agreement:

1. We provide lifelong technical assistance with this product:

- A 5-year warranty is given from the date of purchase. The warranty is for free repair or replacement if cover manufacturing faults only.
- For faults beyond the 5-year warranty, we reserve the right to charge for time and parts.

2. Warranty exclusions below:

- Any man-made damages caused from improper operation, or connecting to excess voltage and overloading.
- The product appears to have excessive physical damage.
- Damage due to natural disasters and force majeure.
- Warranty label, fragile label and unique barcode label have been damaged.
- The product has been replaced by a brand new product.

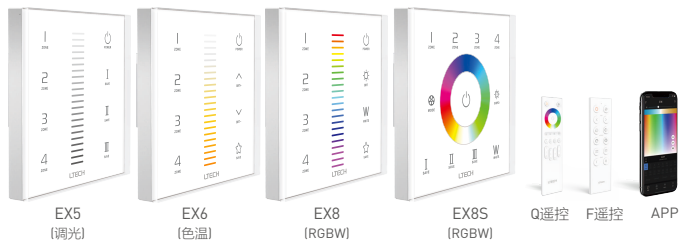
3. Repair or replacement as provided under this warranty is the exclusive remedy to the customer. LTECH shall not be liable for any incidental or consequential damages for breach of any stipulation in this warranty.

4. Any amendment or adjustment to this warranty must be approved in writing by LTECH only.

- * No further notice if any changes in the manual.
Product function depends on the goods.
Please feel free to contact our official distributor if any question.

LTECH

EX 系列触摸面板



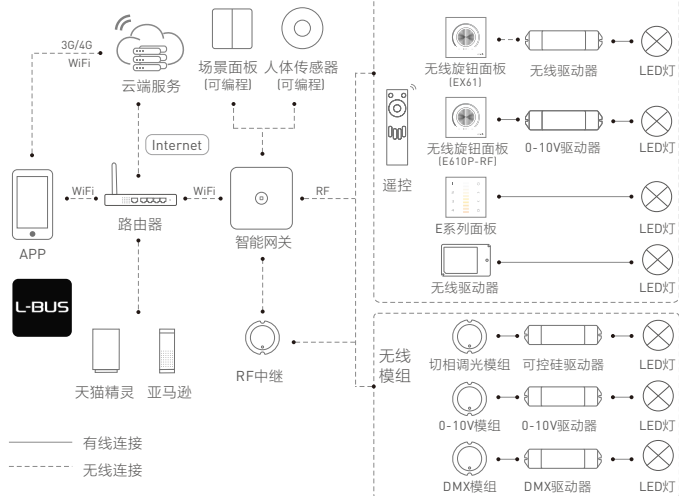
使用说明书
www.ltech.cn

LTECH

EX系列触摸面板

系统图

L-BUS



产品特征

- 采用无线RF与有线DMX512协议二合一控制方式，工程应用更灵活方便。
- 领先的RF无线同步/分区控制技术，驱动器之间可实现调光、调色动态变化效果同步。
- 4区可以任意组合，如1,2区为一组，或1,3,4区为一组，或全选为一组等。
- 在有效距离内，每个区可以连接任意台驱动器，并保持同一组别的动静态效果同步。
- 支持多个面板无线RF多联控制，无数量限制。
- 触摸按键带和弦音和LED夜光指示灯。
- 面板采用电容式触控方式，LED色彩选择更人性化。
- 面板可用遥控控制，增加网关可用手机控制。

技术参数

型号	EX5	EX6	EX8	EX8S
控制类型	调光	色温	RGBW	
输入电压	100-240Vac			
输出信号	DMX512			
无线类型	RF 2.4GHz			
分区数量	4分区			
工作温度	-20°C~55°C			
产品尺寸	L86×W86×H36(mm)			
包装尺寸	L113×W112×H50(mm)			
重量(毛重)	225g			

* 产品实物上带有 **L-BUS** Advance Mode 标志的产品，支持WIFI-108高级模式功能

FC CE RoHS

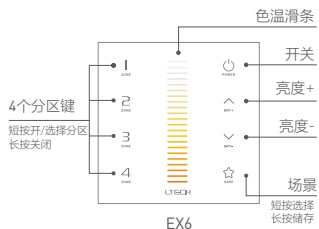
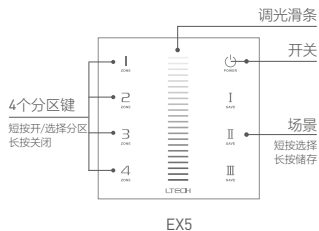
(质保5年)



RCM证书编号：
RCMP17114 001

面板按键说明

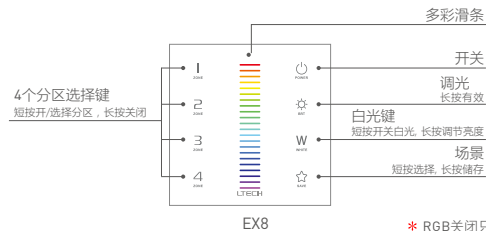
* 开关指示灯蓝色时，长按 键可开关按键声音；开关指示灯白色时，长按 键进行配对。



EX6面板CT模式与CT2模式相互切换：
同时长按 和 键3秒后，蜂鸣器长响一声，切换成功。
(产品出厂默认输出CT模式)

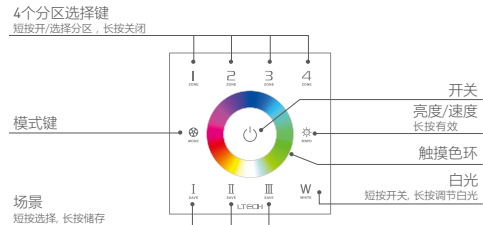
模式	CT	CT2
DMX地址	C	BRT
1	W	CT
2		

* 请在触摸面板开关指示灯为白色时进行色温模式切换。



EX8

* RGB关闭只亮白光：关机状态下按W键开启白光。



EX8S

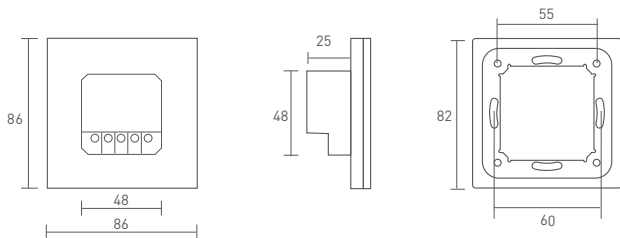
* RGB关闭只亮白光：按模式键选择黑色模式，再按 Ⓞ 键开启白光。

变化模式

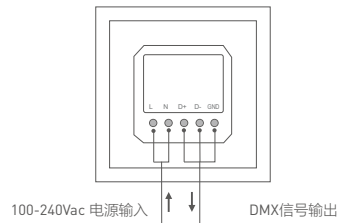
- 1、静态红色
- 2、静态绿色
- 3、静态蓝色
- 4、静态黄色
- 5、静态紫色
- 6、静态青色
- 7、静态白色
- 8、三色跳变
- 9、七彩跳变
- 10、三色渐变
- 11、七彩渐变
- 12、静态黑色 [只关闭RGB]

产品尺寸

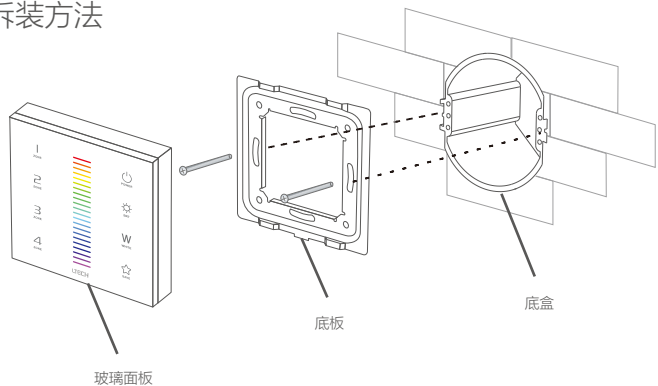
单位：mm



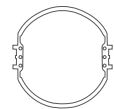
接线端子



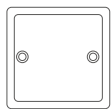
拆装方法



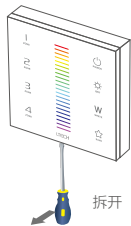
典型底盒如下



欧式



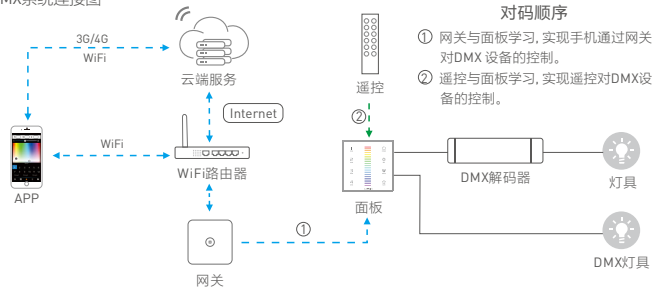
86盒



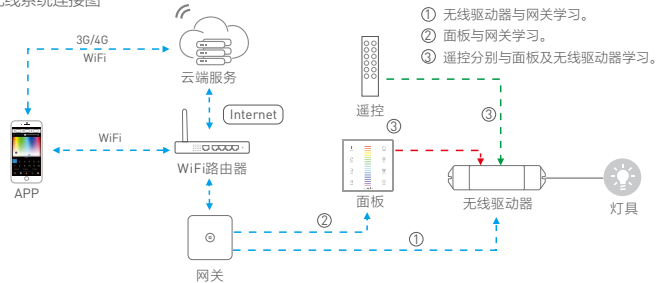
拆开

对码顺序

DMX系统连接图



无线系统连接图



应用组合

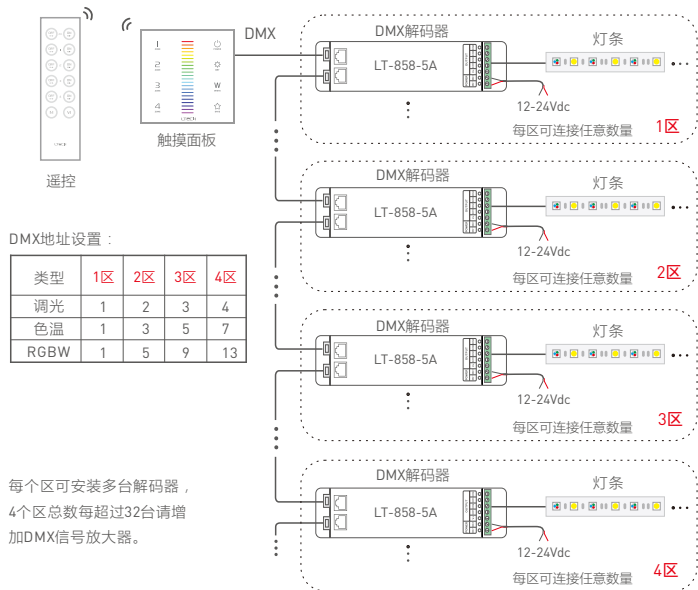
DMX512控制:

1.  +  + 
面板 DMX驱动器 灯具
2.  +  +  + 
遥控 面板 DMX驱动器 灯具
3.  +  +  + 
WiFi主控 面板 DMX驱动器 灯具
4.  +  +  +  + 
WiFi主控 遥控 面板 DMX驱动器 灯具

无线控制:

1.  +  + 
面板 无线驱动器 灯具
2.  +  +  + 
遥控 面板 无线驱动器 灯具
3.  +  +  + 
WiFi主控 面板 无线驱动器 灯具
4.  +  +  +  + 
WiFi主控 遥控 面板 无线驱动器 灯具

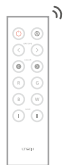
DMX输出连接:



RF无线连接图:



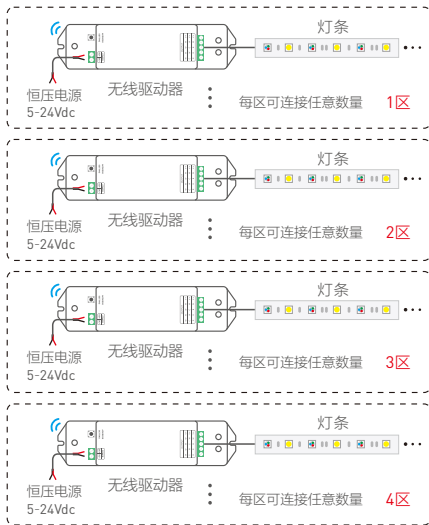
触摸面板



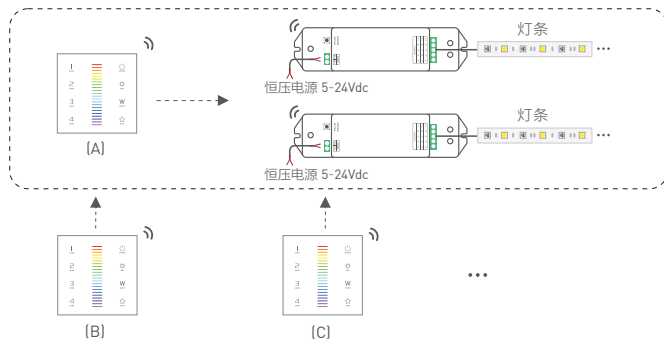
遥控

EX系列触摸面板在无线的有效范围内, 可配对任意数量的无线驱动器 (F4-DMX-5A/F5-DMX-4A, F4-3A/F4-5A)。

请尽量避免无线驱动器放置在大面积金属物体旁或在较多金属介质的空间上使用, 以免信号受到干扰影响使用。



多联连接图



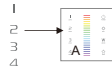
- * A面板实现对灯具的控制后, B、C面板通过学习A面板, 即可达到对灯具的控制。
- * 触摸面板连接DMX解码器, 也可以实现多联功能。

面板之间对码

1. 假设B学习A, 长按 B 的 键, 直至所有分区键的指示灯闪烁。



2. 15秒内按下 A 的分区键, B 指示灯停止闪烁, 对码成功。



面板与遥控对码

1. 触摸面板指示灯为白色时，长按面板的  键，直至面板所有分区指示灯闪烁。



EX5



EX6



EX8



EX8S

2. 对码F系列遥控：

长按遥控器上开关键，面板指示灯停止闪烁，对码成功。

触摸面板EX5可与遥控F5配对。

触摸面板EX6可与遥控F6配对使用。

触摸面板EX8/EX8S可与遥控F8配对使用

F5
(调光)F6
(色温)F8
(RGBW)

- 对码Q系列遥控：

长按遥控器上需对码分区的开键，
面板指示灯停止闪烁，对码成功。

触摸面板EX5可与遥控Q1配对使用

触摸面板EX6可与遥控Q2配对使用

触摸面板EX8/EX8S可与遥控Q4配对使用



Q1



Q2



Q4

面板与无线驱动器对码

触摸面板可与无线驱动器F4-3A/F4-5A/F4-DMX-5A/F5-DMX-4A配对使用

方法一：

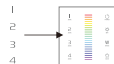
1. 无线驱动器断电。
2. 长按面板的开关键，直到面板所有分区指示灯闪烁。
3. 无线驱动器上电，此时负载灯慢闪，请在15秒内完成后续操作。
4. 短按需配对的分区键，学习成功。



无线驱动器

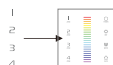


无线驱动器



方法二：

1. 短按无线驱动器的ID学习键，负载灯闪烁，请在15秒内完成后续操作。
2. 长按面板的开关键，直到面板所有分区指示灯闪烁。
3. 短按需配对的分区键，学习成功。

ID学习键
无线驱动器

* 请在触摸面板开关键指示灯为白色时进行对码清码操作。

面板与网关对码

1. 长按面板的  键，直到面板所有分区键指示灯闪烁。



EX5



EX6



EX8



EX8S

2. 打开APP，进入分区设置界面，点击右上角的 "MATCH" 按键，按照APP上的提示进行操作。



面板清码



同时按面板最下面两个键约6秒，指示灯闪烁几次，清码成功。

* 请在触摸面板开关指示灯为白色时进行对码清码操作。

售后服务说明

1. 购买雷特LED控制器产品享受终身技术支持和保修服务：

- 免费保修：自购买之日起五年内出现产品质量问题雷特将给予免费修理或更换服务。
- 有偿保修：超过免费保修期的产品收取适当的维修材料成本费用。

2. 以下情况不在免费保修或更换服务范围之内：

- 过高电压、超负载、操作不当等人为造成的损坏；
- 产品外形严重损坏或变形；
- 自然灾害以及人力不可抗拒原因造成的损坏；
- 产品保修标签和产品唯一条形码损坏；
- 产品已经更新换代。

3. 修理或更换是雷特对客户的唯一补救措施，雷特不承担任何附带引起的损害赔偿責任。

4. 只有雷特享有修正或调整本保修条款的权利，并以书面形式发布认定为准。

* 本说明书的内容如有变更，恕不另行通知。
若内容与您使用的功能有所不同，则以实物为准。
如有疑问，请与供应商联系。